



DATA SHEET

System 1

General Description

A very powerful, very quiet system for cooling larger systems and enclosures.

The System 1 was designed to quietly



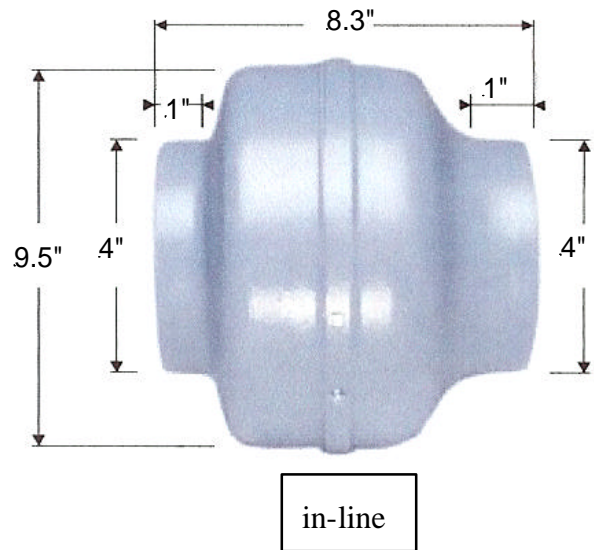
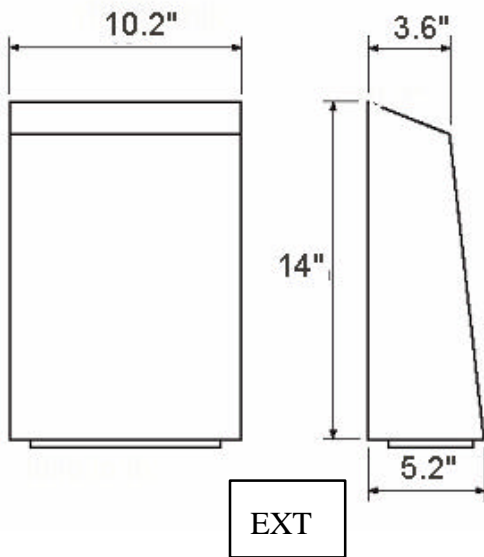
move heated air away from A/V components to a remote area. It is comprised of a very powerful in-line centrifugal fan with a precisely-balanced rotor for minimum vibration, and acoustically-muffled tubing large enough to allow a large airflow at low velocity, minimizing noise. A "hot air collector" is included; a transition fitting that simplifies connecting the tubing to an opening in any flat surface, such as the back of a cabinet, or the ceiling of a closet. Many available accessories include an adjustable (80° - 130° F)

thermal switch, speed control, backdraft damper, diffusers, Y-fittings, and adapters for other tubing sizes. The EXT version is ideal for outdoor use.

Features

- ✍ Powerful yet quiet
- ✍ Low power consumption
- ✍ Rated for continuous operation
- ✍ 100 CFM (free air) capacity; 60 - 75 CFM in typical cases
- ✍ Moves significant amounts of air as far as 30'
- ✍ Also available in a weatherproof enclosure with integral backdraft damper. (EXT)

The System 1 easily ventilates large rack or shelf-mounted installations, and can cool the largest 3-chip DLP video projectors that have been enclosed for noise control or esthetics.



Specifications

Parameter	Value	Units
Air flow - 0" SP	103	CFM
Air flow - 0.25" SP	93	CFM
Air flow - 0.5" SP	80	CFM
Tubing size	4" ID/6"OD	Both in-line & EXT
SPL	34 (with tubing attached)	DBA
Power consumption	55	Watts
Operating temperature range	0 - 140	Degrees F
Agency approvals	UL, CSA	N/A
Weight (in-line)	6.5/3	Lbs/kg
Weight (EXT)	11/5	Lbs/kg
Part number	00-100-02	In-line
	00-100-03	EXTerior

Accessories

Item	Part number
Speed control	03-102-01
Adjustable thermal switch	03-101-01
Decorative diffuser, white	03-109-02
Backdraft damper	03-103-01
8' tubing extension kit	03-107-01
4" Y-fitting	03-110-00

The ATM logo is a registered trademark of Active Thermal Management. All features and specifications subject to change without notice.