

Overview

The Component Video/Analog Audio Balun (500053-WP-US) allows one component video (YPbPr or RGB) signal and one Analog Audio signal to be transmitted via one Category 5e/6 twisted pair cable for more cost-efficient cabling.

Used in pairs or with the 500052/500053, the Component Video/Analog Audio Wall Plate Balun supports 480i/p, 720p and 1080i/p video formats for commercial and residential hi-definition (HDTV) video applications.

Benefits

More cost efficient cabling
 Quicker moves, adds and changes
 Neater wiring



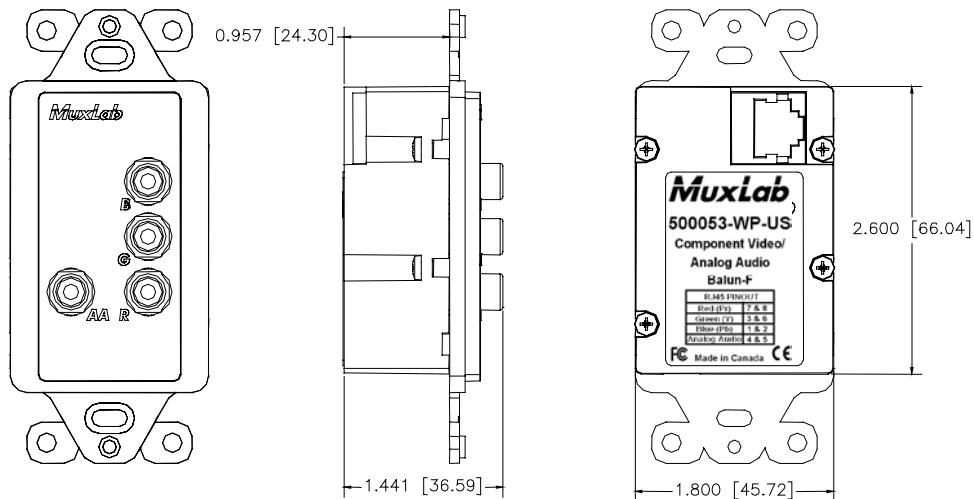
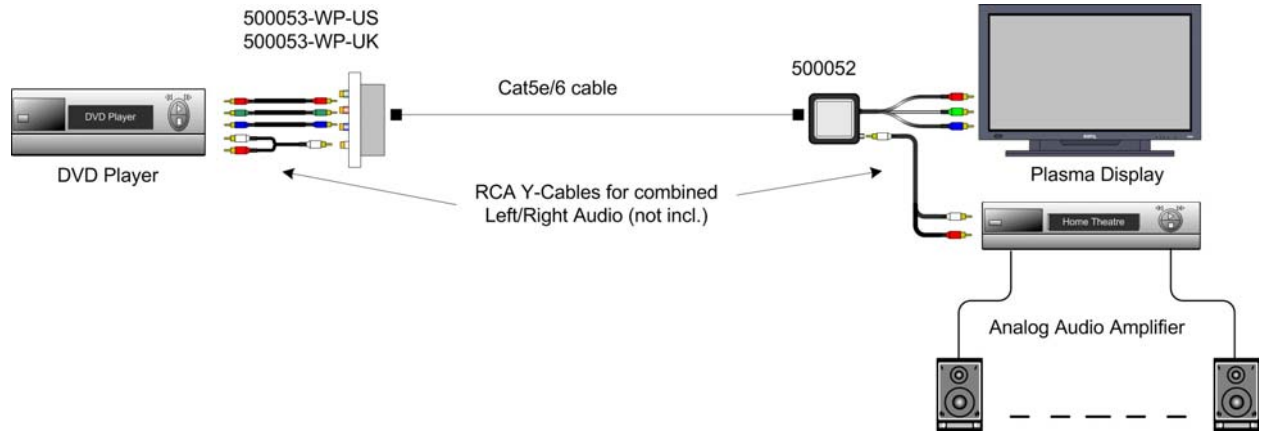
Features

Supports 480i/p, 720p, 1080i/p
 Supports 480i/p up to 1,000 ft (305m) via Cat5E/6
 Supports 720p/1080i/p up to 500 ft (152m) via Cat5E/6
 Supports analog audio on fourth twisted pair
 Decora™ compatible
 Modular shielded RJ45 connector

Specifications	
Environment	Component Video (YPbPr), RGB Video (sync on green). 480i/p, 720p, 1080i/p. Line level analog audio.
Devices	DVD players, satellite receivers, plasma displays, projectors, monitors, up-converters, amplifiers, switchers, home theatre and other equipment supporting HDTV component video and/or analog audio.
Transmission	Transparent to the user
Bandwidth	Video: 60 MHz, 3 dB roll off Analog audio: 20 Hz to 20 kHz
Maximum Input	1.1 Vp-p
Insertion Loss per Pair (Video)	0.1 dB for 0.1 MHz Gradually increasing to 3.0 dB over the frequency range
Insertion Loss per Pair (Audio)	Less than 2 dB per pair over the frequency range
Return Loss (Video)	Greater than 15 dB over the frequency range
Common Mode Rejection Ratio (Video)	-55 dB max.
Common Mode Rejection Ratio (Audio)	Greater than 60 dB at 1 kHz Greater than 40 dB over the frequency and distance range
Max. Distance Color via Cat 5E/6 UTP/STP Cable	480i/p: 1,000 ft (305 m) 720p and 1080i: 500 ft (152 m) Analog Audio: 3,250 ft (990 m)
Cable: Cat 5E/6 UTP/STP	24 AWG or lower solid copper twisted pair wire Impedance: 100 ohms at 1 MHz Maximum capacitance: 20 pf/ft Attenuation: 6.6 dB/1,000 ft at 1 MHz
Cable: Coax	Impedance: 75 ohms at 1 MHz
Connectors	Three RCA-F connectors: Green (Y), Blue (Pb), Red (Pr) One (1) RCA-F connector for analog audio RJ45S for twisted pair
Pin Configuration Reverse polarity sensitive	Red (Pr): Pins 7(R) & 8(T) Green (Y): Pins 3(R) & 6(T) Blue (Pb): Pins 1(R) & 2(T) Analog Audio: Pins 4(R) & 5(T)
Temperature	Operating: 0° to 55°C Storage: -20° to 85°C Humidity: Up to 95% non-condensing
Enclosure	ABS fire retardant plastic, Color white, Finish glossy.
Dimensions	86 mm x 86 mm x 36 mm. Choose 40 mm deep back box to allow for Cat 5E/6 wiring connection.
Weight	4.1 oz (115 g)
Regulatory	FCC, CE, RoHS, European Standard for 86 mm faceplate
Warranty	Lifetime
Order Information	500053-WP-US Component Video / Analog Audio Wall Balun UPC: 6-27699-91053-5

Component Video/Analog Audio Wall Plate Balun, US 500053-WP-US

Typical Application



Head Office
 8495 Dalton Road, Mount Royal, Quebec, Canada, H4T 1V5
 Tel: 514-905-0588 Fax: 514-905-0589
 Toll-free: 877-689-5228
 E-mail: videoease@muxlab.com
 URL: www.muxlab.com