

Overview

The Component Video/Analog Audio Balun (500052, 500053) allows one component video (YPbPr or RGB) signal and one Analog Audio signal to be transmitted via one Category 5E/6 twisted pair cable for more cost-efficient cabling.

Used in pairs, the Component Video/Analog Audio Balun supports 480i/p, 720p and 1080i/p video formats for commercial and residential hi-definition (HDTV) video applications.

Benefits

More cost efficient cabling
 Quicker moves, adds and changes
 Neater wiring



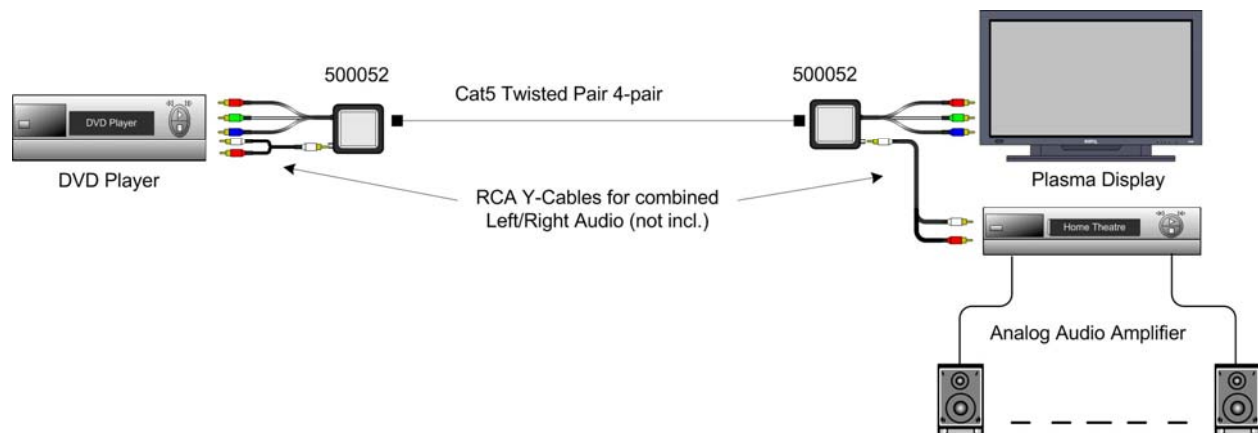
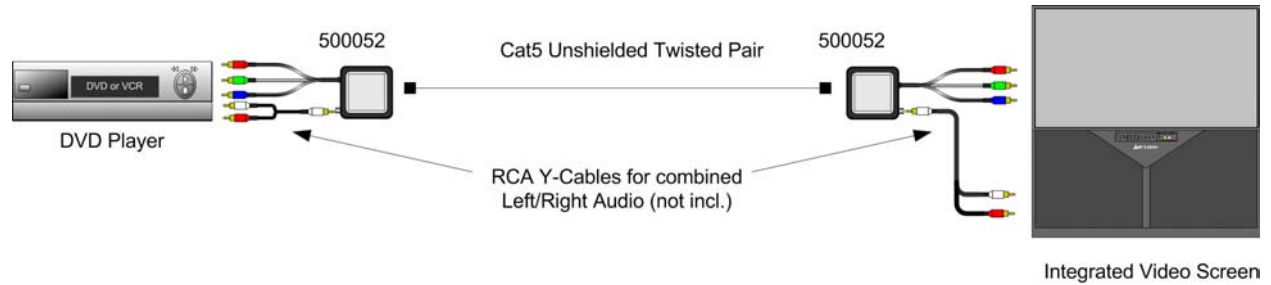
Features

Supports 480i/p, 720p, 1080i/p
 Supports 480i/p up to 1,000 ft (305m) via Cat5E/6
 Supports 720p/1080i/p up to 500 ft (152m) via Cat5E/6
 Moulded colour-coded RCA cable leads
 Supports analog audio on fourth twisted pair
 Modular shielded RJ45 connector

Specifications	
Environment	Component Video (YPbPr), RGB Video (sync on green). 480i/p, 720p, 1080i/p. Line level analog audio.
Devices	DVD players, satellite receivers, plasma displays, projectors, monitors, up-converters, amplifiers, switchers, home theatre and other equipment supporting HDTV component video and/or analog audio.
Transmission	Transparent to the user.
Bandwidth	Video: 60 MHz, 3 dB roll off. Analog audio: 20 Hz to 20 KHz
Maximum Input	1.1Vp-p
Insertion Loss per pair (video)	.1 dB for 0.1 MHz. Gradually increasing to 3.0 dB over the frequency range
Insertion Loss per pair (audio)	Less than 2 dB per pair over the frequency range.
Return Loss (video)	Greater than 15 dB over the frequency range
Common Mode Rejection (video)	-55 dB max.
Common Mode Rejection (audio)	Greater than 60 dB @ 1 KHz Greater than 40 dB over the frequency and distance range
Max. Distance Colour – Cat5E/6 UTP & STP	480i/p: 1,000 ft (305m). 720p and 1080i: 500 ft (152m). Analog Audio: 3,250 ft (990m).
Cable – Cat5E/6 UTP/STP	24 gauge or lower solid copper twisted pair wire impedance: 100 ohms at 1 MHz. Maximum capacitance: 20 pf/foot. Attenuation: 6.6 dB/1000 ft at 1 MHz
Cable – Coax	Impedance: 75 ohms at 1 MHz
Connectors	500052: Three (3) RCA-M connectors: Green (Y), Blue (Pb), Red (Pr) 500053: Three (3) gold-plated RCA-F connectors: Green (Y), Blue (Pb), Red (Pr) One (1) RCA-F connector for analog audio RJ45S for twisted pair
Pin Configuration <i>Reverse polarity sensitive</i>	Red (Pr): Pins 7 [R] & 8 [T] Green (Y): Pins 3 [R] & 6 [T] Blue (Pb): Pins 1 [R] & 2 [T] Analog Audio: Pins 4 [R] & 5 [T]
Temperature	Operating: 0° to 55°C. Storage:-20° to 85°C. Humidity: up to 95%
Enclosure	ABS fire retardant plastic
Dimensions	500052: plus 6" (15.24cm) cable lead for video. 500053: 2.40" x 2.25" x 1.0" (6.1 x 5.7 x 2.54 cm)
Weight	2.9 oz (81gms)
Regulatory	FCC, CE, RoHS.
Warranty	Lifetime
Order Information	500052 Component Video/Analog Audio Balun, M 500053 Component Video/Analog Audio Balun, F

Component Video/Analog Audio Balun 500052, 500053

Typical Application



Head Office

8495 Dalton Road, Mount Royal, Quebec, Canada, H4T 1V5

Tel: 514-905-0588 Fax: 514-905-0589

Toll-free: 877-689-5228

E-mail: videoease@muxlab.com

URL: www.muxlab.com